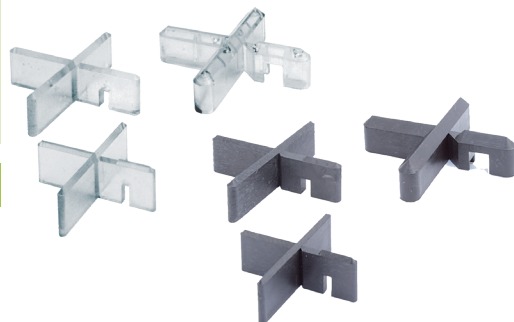


# FK

Cross spacer product family

## ADVANTAGES

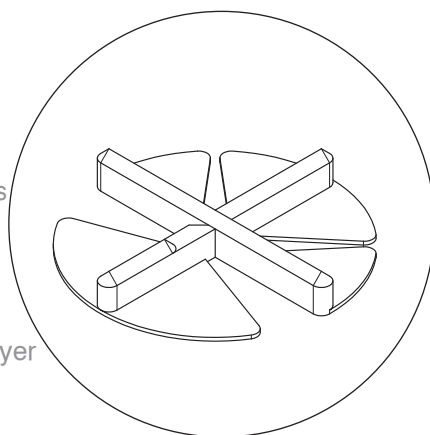
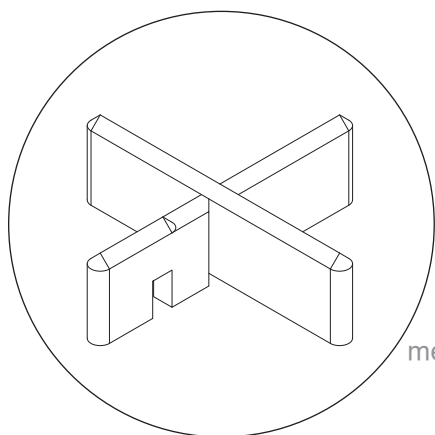
- Can be used as cross and T-joint spacers, therefore suitable for different laying patterns (diagonal, parallel, offset)
- The support plate prevents the cross spacers sinking into the gravel bed
- The cross spacers are wedge-shaped, making it easier to reinsert the paving slabs
- The height of 10 mm makes the FK-UFO cross spacers perfect for the standard 20 mm of ceramic and thicker concrete slabs
- The colour choice (black, gray and transparent) makes it possible to harmonize the colours of the cross spacers with the slab



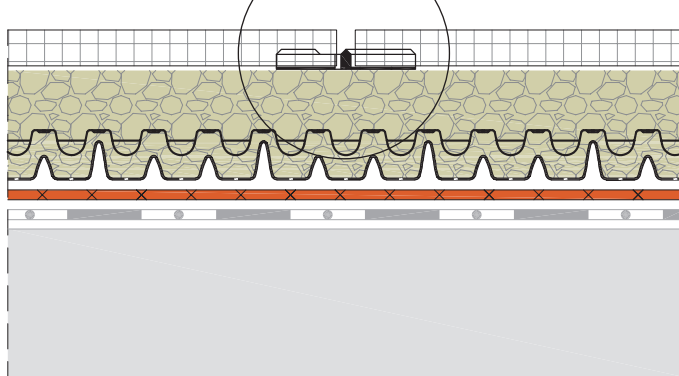
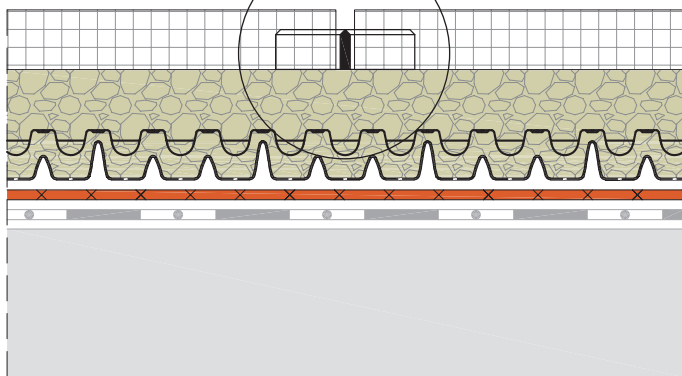
## APPLICATION

The FK cross spacers speeds up the process of laying down pavement slabs and secures the permanent spacing between paving slabs, thereby increasing the aesthetic appearance of the terrace and encouraging better surface water drainage.

## DIADEM® BUILD-UP



Concrete / Ceramic slabs  
**FK-5 / FK(G)-5-UFO**  
Gravel bed  
DiaDrain-25H  
VLU-300 or VLU 500  
mechanical protecting layer  
Water proofing  
Roof structure



APP Dachgarten GmbH, D-85049 Ingolstadt, Jurastrasse 21  
Tel.: +49 841 370 9496 • [info@grundach.com](mailto:info@grundach.com) • [www.grundach.com](http://www.grundach.com)  
DIADEM® APP Kft., H-9028 Győr, Fehérvári út 75.  
Tel.: +36 96 512 910 • [info@diadem.com](mailto:info@diadem.com) • [www.diadem.com](http://www.diadem.com)

DIADEM® is a registered trademark. The written permission of the publisher is required to use the images, texts and illustrations in this publication. All rights reserved. Data and images contained in the brochure are indicative, we do not accept responsibility for possible printing errors. • 09053201

Green Up the Roof!



# FK

Cross spacer product family

## FK-UFO



### TECHNICAL DATA

	FK-3	FKK-3	FK-5	FKK-5	FK-10	FKK-10	FK-3-UFO	FKG-3-UFO	FK-5-UFO	FKG-5-UFO
Product number	610102	610117	610101	610118	610103	610119	610198	610200	610189	610188
Size (L x W x H) (mm)	50 x 50 x 18		70 x 70 x 20		80 x 80 x 20		50 x 50 x 10		70 x 70 x 10	
Thickness of legs (mm)	3		5		10		3		5	
Packaging (pcs./box)	3000		1600		1000		3000		1600	
Weight (kg/pack)	17,5		23,4		15		13,5	12,5	14,8	14,3
Material required *   (pcs / m <sup>2</sup> )	4 -10									
Material required **   (pcs / m <sup>2</sup> )	6,25-15									
Material required ***   (pcs / m <sup>2</sup> )	11,10-26									
Material	recyc. PS	recyc. PP	recyc. PS	recyc. PP	recyc. PS	recyc. PP	recyc. PS			
Colour	black	transparent	black	transparent	black	transparent	black	gray	black	gray

\* for a slab size of 50x50 cm | \*\* for a slab size of 40x40 cm | \*\*\* for a slab size of 30x30 cm  
Required quantity depends on the patterns applied.



APP Dachgarten GmbH, D-85049 Ingolstadt, Jurastrasse 21  
Tel.: +49 841 370 9496 • info@grundach.com • www.grundach.com  
DIADEM® APP Kft., H-9028 Győr, Fehérvári út 75.  
Tel.: +36 96 512 910 • info@diadem.com • www.diadem.com

DIADEM® is a registered trademark. The written permission of the publisher is required to use the images, texts and illustrations in this publication. All rights reserved. Data and images contained in the brochure are indicative, we do not accept responsibility for possible printing errors. • 09053201

Green Up the Roof!

